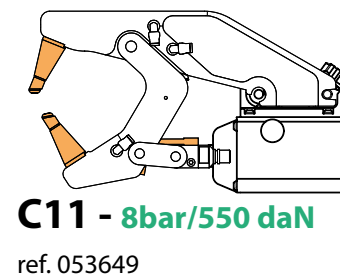
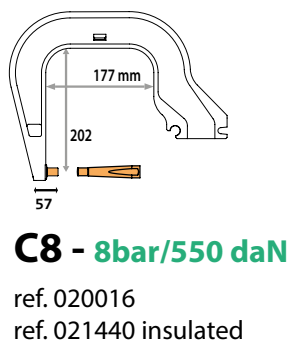
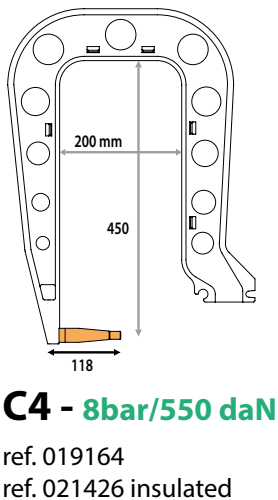
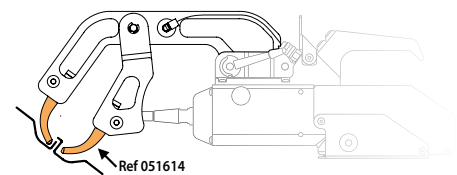
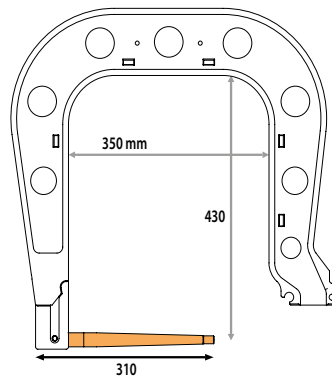
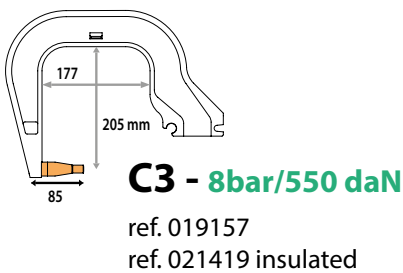
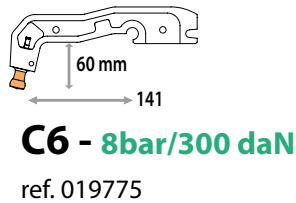
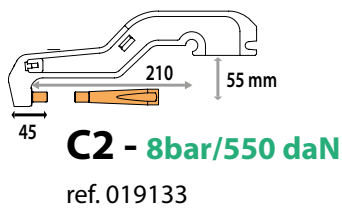
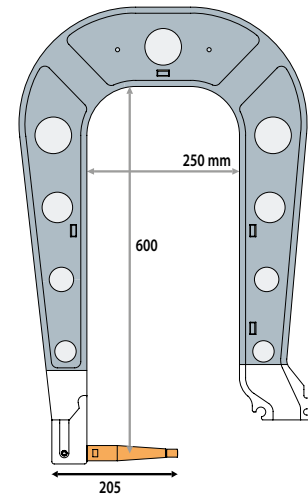
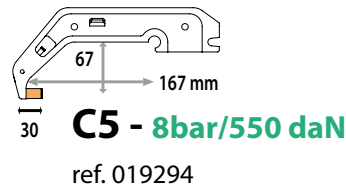
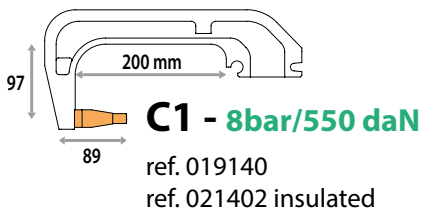


GYS offers a large range of aluminium C-arm, high rigidity C-arms compatible with the following machines: GYSPOT BPLC-s7, BPLCX-s7 and GYSPOT PTI-s7 Evolution. These arms are liquid cooled and include electrodes and welding caps. A large range of arms are available in order to get access to anywhere on the vehicle. Several references are available in a painted version ensuring electric insulation of the arm.



Accessories and consumables

